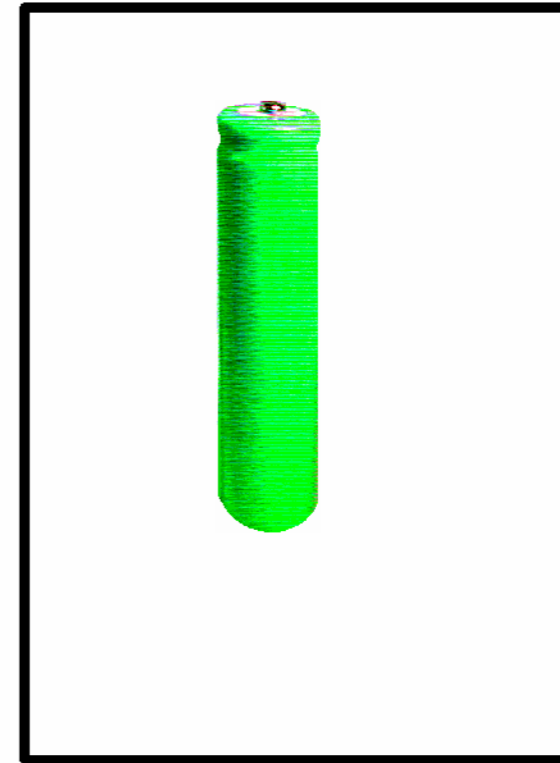


NIMH - TECHNICAL DATA SHEET - MODEL ESP700AAAH

TECHNICAL DATA SHEET

Battery General Specification :

- Model** - ESP700AAS
Chemical Material - Nickel Metal Hydride.
Description - 1.2v Rechargeable battery
 AAA size with Pip top.



Discharging:

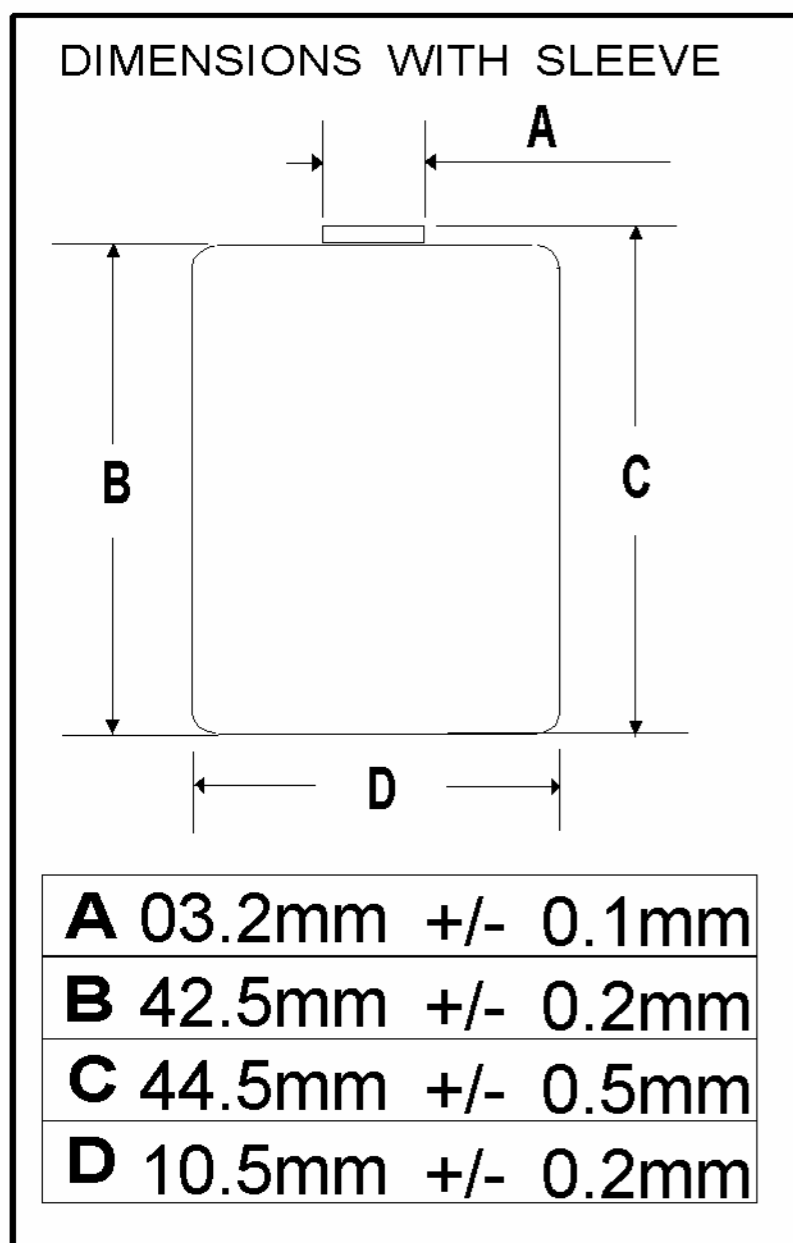
(A) Discharge current.

- 1/ Discharged at 0.2CA, Provide 80% at EPV 1.2V 98% of nominal capacity at EPV 1.1V.
- 2/ Discharged at 0.5CA, Provide 70% at EPV 1.2V 95% of nominal capacity at EPV 1.1V.
- 3/ Discharged at 1CA, Provide 60% at EPV 1.2V 93% of nominal capacity at EPV 1.1V.
- 4/ Discharged continuously at 1C, for 2 hours, No explosion or leakage.

(B) Capacity and Cycle (500 to 800 cycles)

- Charge at 0.1C, discharge at 0.2C; 100% nominal capacity.
 Charge at 1C, discharge at 1C; minimum 95% nominal capacity.

Physical and Electrical Specifications.



Nominal Voltage		1.2v	
Typical Capacity		700mAh	
Weight		12g	
Internal resistance.		32mΩ	
Charge	Standard	70mA x 15hrs	
	Quick	210mA x 5hrs	
	Rapid	700mA X 1.2hrs	
Discharge	70mA	64min	
	140mA	60min	
	700mA	55min	
Ambient temperature	Charge	Standard	0 ⁰ to 45 ⁰ C
		Quick	0 ⁰ to 40 ⁰ C
	Discharge		-20 ⁰ to 65 ⁰ C
	Storage		-20 ⁰ to 45 ⁰ C

Discharge Temperature at 0.2CA

- 1/ At 20⁰C, 100% nominal capacity.
- 2/ At 0⁰C, 90% nominal capacity.
- 3/ At 60⁰C, Or -20⁰C, 85% nominal capacity.
- 4/ Charge retention for 30 days at 20⁰C, cell can provide 70% nominal capacity discharged at 0.2CA.

CELLS MANUFACTURED TO GB/T19001:2000 - ISO9000/9001: 2000 STANDARD & CONFORMITY
 Cell & Battery specifications are subject to modifications without prior notice. All the above information is generally descriptive and is not intended as a guarantee or warranty.

ESP SPECIAL BATTERIES LTD
 565 Uppingham Rd
 Leicester. LE5 6QA
 England.

Tel 0116 2413796
 Fax 0116 2416519
 Email - info@espspecialbatteries.co.uk
www.espspecialbatteries.co.uk

ESP700AAAS