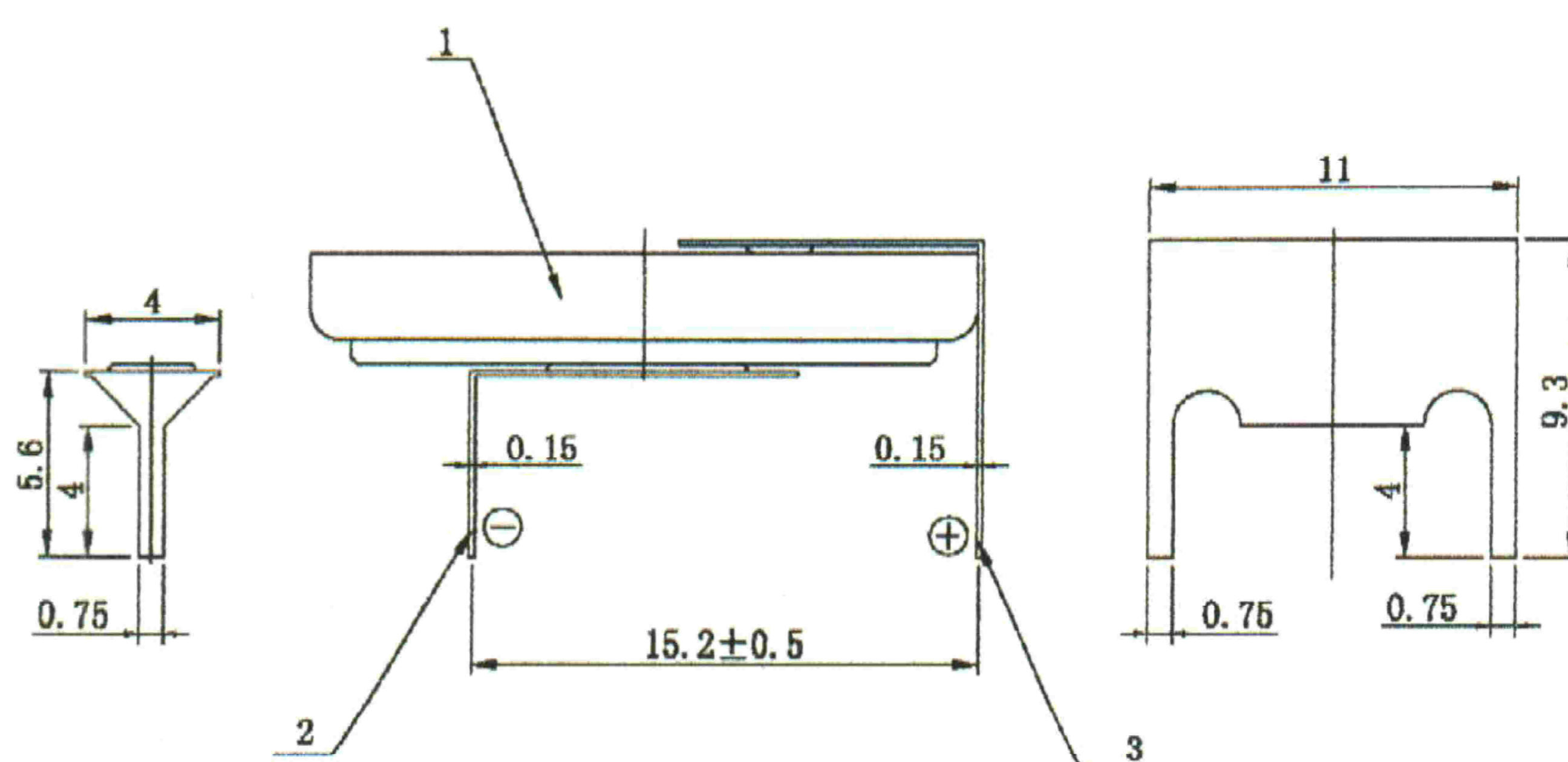
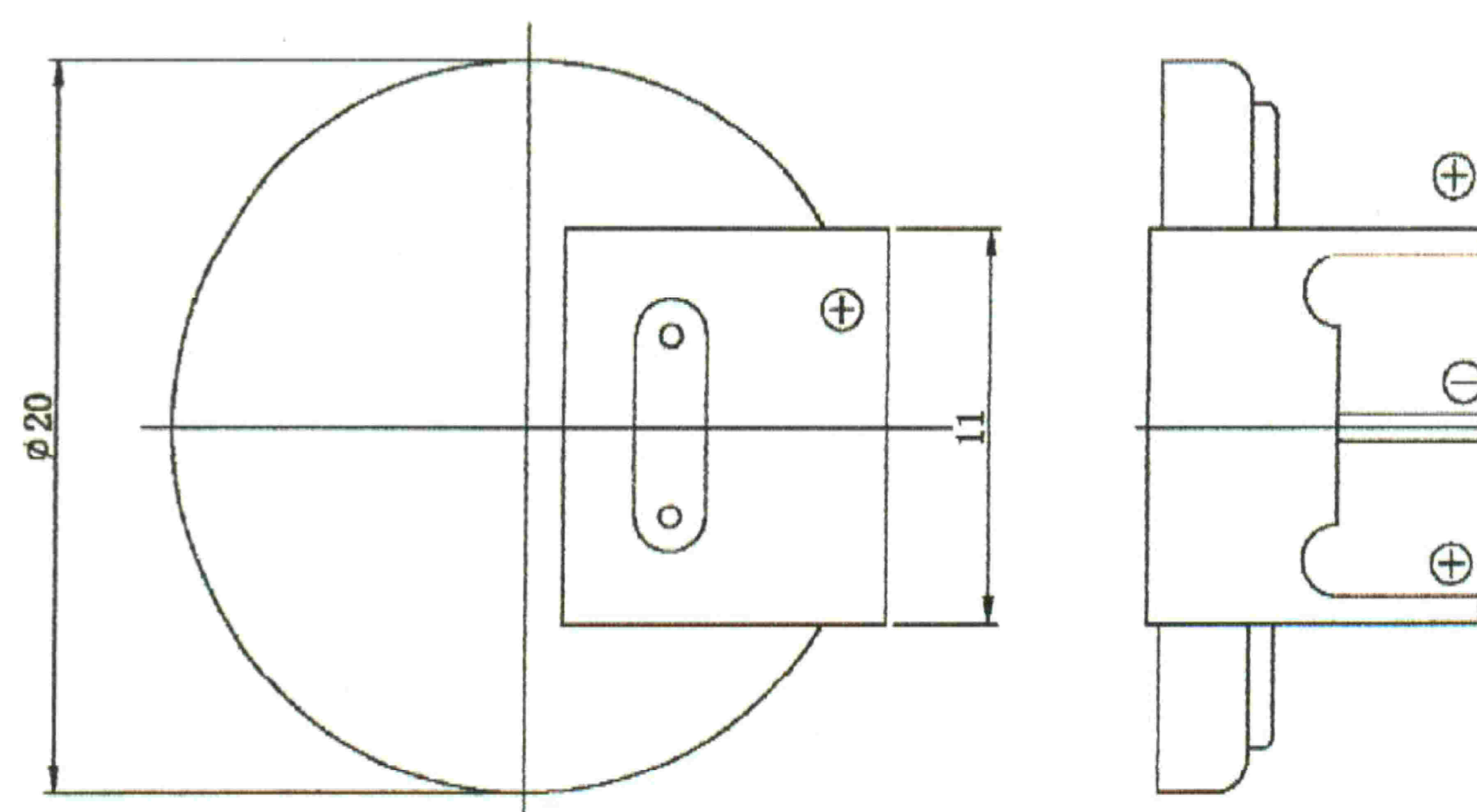


# **ESP Special Batteries Ltd**

## **DATA SHEET**

### HORIZONTAL CR2032FTH22 Configuration Diagram



1. Battery Model : CR2032
2. Negative Terminal : Stainless Steel Nickel Plated
3. Positive Terminal : Stainless Steel Nickel Plated

Tel 0116 2413796

Fax 0116 2416519

Email [info@esspecialbatteries.co.uk](mailto:info@esspecialbatteries.co.uk)