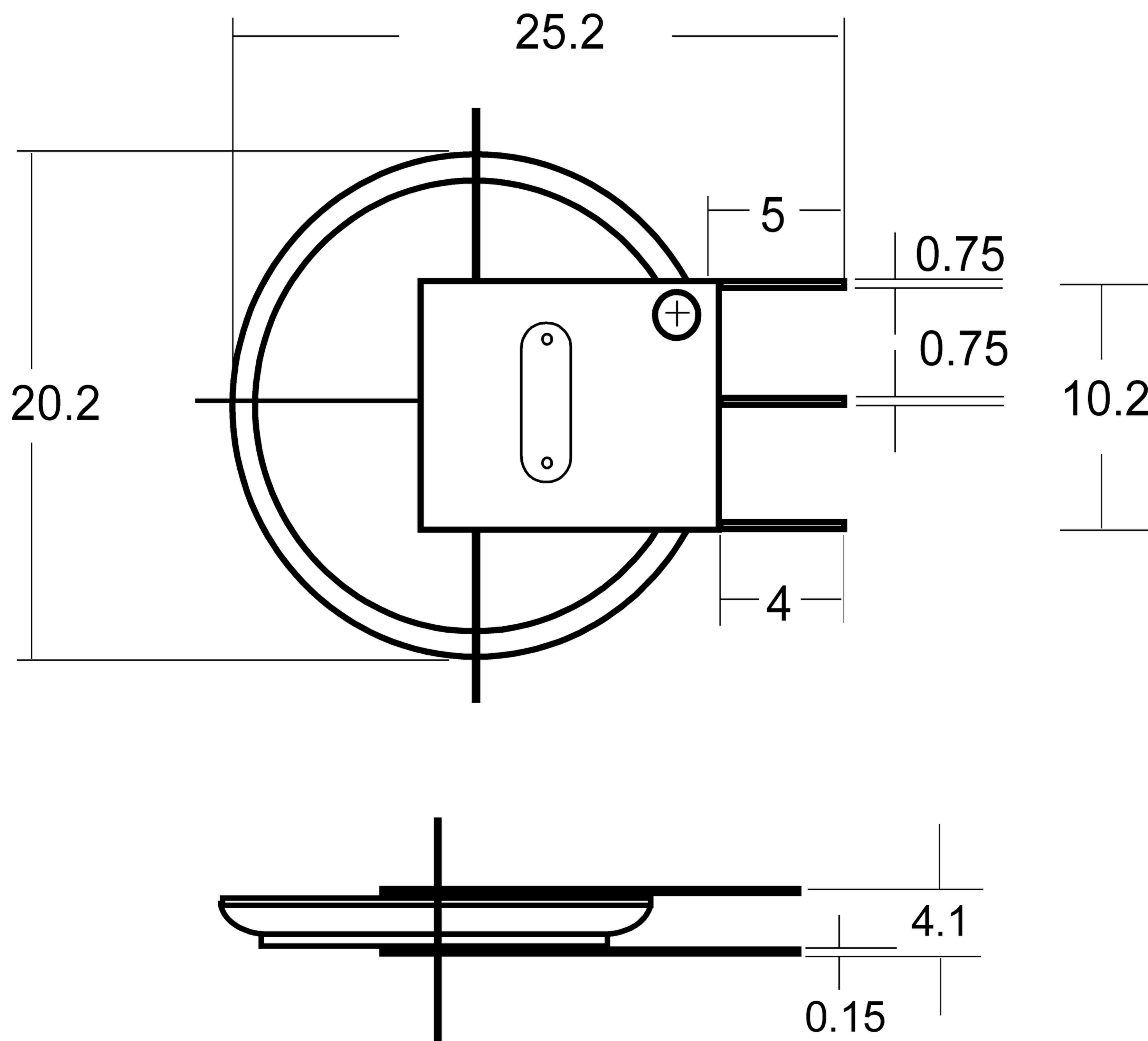


**ESP Special Batteries Ltd**  
**DATA SHEET**

VERTICAL  
CR2032FTV10 Configuration Diagram



Tel 0116 2413796

Fax 0116 2416519

Email [info@esspecialbatteries.co.uk](mailto:info@esspecialbatteries.co.uk)